

# MARQUIS II VL54

End of Life  
Protection

3 Hour  
Operation



VL54 with stainless steel body

## FEATURES AND BENEFITS

Battery back up for three hour emergency operation • High frequency control gear 50/60Hz • Through wired as standard

## CERTIFICATION & APPROVALS

IECEX Certificate IECEX SIR 06.0055X  
ATEX Certificate SIRA06ATEX4191X

Ex II 3 GD Ex nA II T4

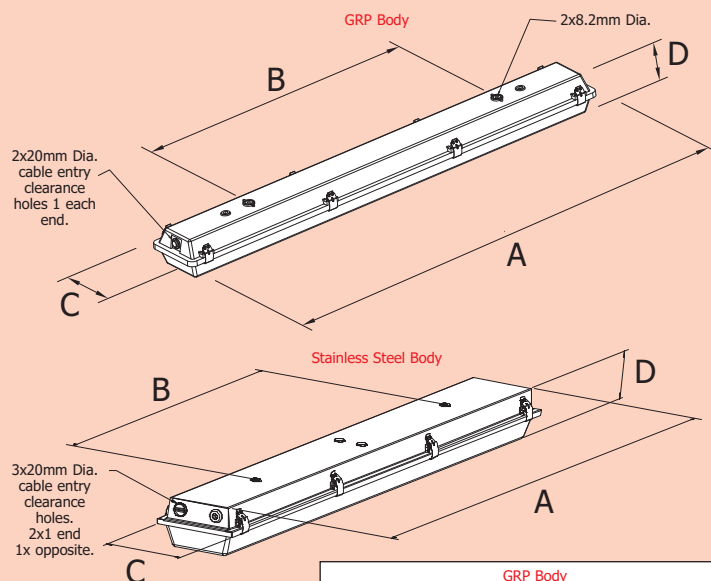
Ambient temperature range:  
-20°C to +40°C\*

Ingress protection to IP65

TIS Approved

\*Dependant on lamp type & voltage

## DIMENSIONS



	GRP Body		
	2x18W	1x36W / 2x36W	1x58W / 2x58W
A	702	1312	1612
B	500	800	1100
C	172	102 / 172	102 / 172
D	106	106	106
	Stainless Steel Body		
	2x18W	1x36W / 2x36W	1x58W / 2x58W
A	700	1312	1612
B	500	800	1100
C	172	172	172
D	106	106	106

Dimensions in millimetres

## TECHNICAL SPECIFICATION

### LAMP TYPES

T8, Ø26mm, G13 cap bi-pin fluorescent.  
Available in the following configurations: 2 x 18W,  
2 x 36W, 2 x 58W.

### POWER SUPPLY

220V-254V, 50/60Hz  
120V 50/60Hz (option)

### POWER FACTOR

Greater than 0.95

### EMERGENCY OPERATION

Typically 3 hours duration at 25°C  
32% of one lamp (18W).  
14% of one lamp (36W).  
9% of one lamp (58W).

### BATTERY

6V, 4Ah internal Ni-Cad.

### CABLE ENTRIES

Pre-drilled Ø20mm.

Supplied with 1 x transit plug and the required number of  
Ex blanking plugs.

Cable entry devices (ie. glands) must maintain the IP rating for  
the luminaire.

### TERMINALS

4 core up to 4 mm<sup>2</sup> conductors. Through wiring facility as  
standard. Terminals for live constant, live switched neutral &  
earth are provided. Internal earth.

### TEMPERATURE CLASSIFICATION

Gas environments: T4. Dust environments: T85°C.

### AMBIENT TEMPERATURE RANGE

220V-240V: -20°C to +40°C. 254V: -20°C to +35°C  
110V-130V: -20°C to +30°C

### MATERIALS

**Body** Corrosion resistant glass reinforced  
polyester (GRP) or stainless steel.  
**Diffusers** Polycarbonate.  
**Clips** Stainless Steel (18Wx6, 36Wx8 & 58Wx10).  
**Gear Tray** Painted mild steel.

### WEIGHT

<b>GRP Body</b>	<b>Stainless Body</b>
1 x 36W Lamp - 5.3Kg	1 x 36W Lamp - 8.3Kg
1 x 58W Lamp - 5.7Kg	1 x 58W Lamp - 8.7Kg
2 x 18W Lamps - 4.6Kg	2 x 18W Lamps - 7.6Kg
2 x 36W Lamps - 5.6Kg	2 x 36W Lamps - 8.6Kg
2 x 58W Lamps - 6.1Kg	2 x 58W Lamps - 9.1Kg

### SUSPENSION

8mm clearance holes. Sealing washers are provided.

## ORDERING REFERENCE

Std. Cat Ref.	Wattage	Lamp Type
MA2N/218/BI/EM	2x18W	Bi-Pin
MA2N/136/BI/EM	2x36W	Bi-Pin
MA2N/236/BI/EM	2x36W	Bi-Pin
MA2N/158/BI/EM	1x58W	Bi-Pin
MA2N/258/BI/EM	2x58W	Bi-Pin

**A stainless steel body version is also available.**  
**To order substitute MA2N with MS2N.**

## ACCESSORIES

**Pole mount bracket (38-42mm)**  
SPOL4-100004

**Pole mount bracket (48-52mm)**  
SPOL4-100005

**Pole mount bracket (58-62mm)**  
SPOL4-100006

**Offset ceiling bracket assembly**  
S3004-100001

**C' form hook type ceiling  
bracket assembly**  
S3004-100003

**Flush mounted wall bracket assembly**  
S3004-100004

**18W wall mounting outreach bracket  
(use with SPOL4-100004)**  
NPRO4-0008

**36W wall mounting outreach bracket  
(use with SPOL4-100004)**  
NPRO4-0012

**58W wall mounting outreach bracket  
(use with SPOL4-100004)**  
NPRO4-0022

## OPTIONS - SUFFIX TO CATALOGUE REF.

/120	120V - 36W & 58W only (NOTE : 120V versions have upper ambient of +30°C)
/MF	Mains fuse
/NM	Non maintained version (single lamp versions only)
/EA	External earth (earth tag - GRP body only) (earth stud - stainless body only)
/CM	Fixed ceiling mount bracket (stainless body only)
/BCM	Battery controlled management

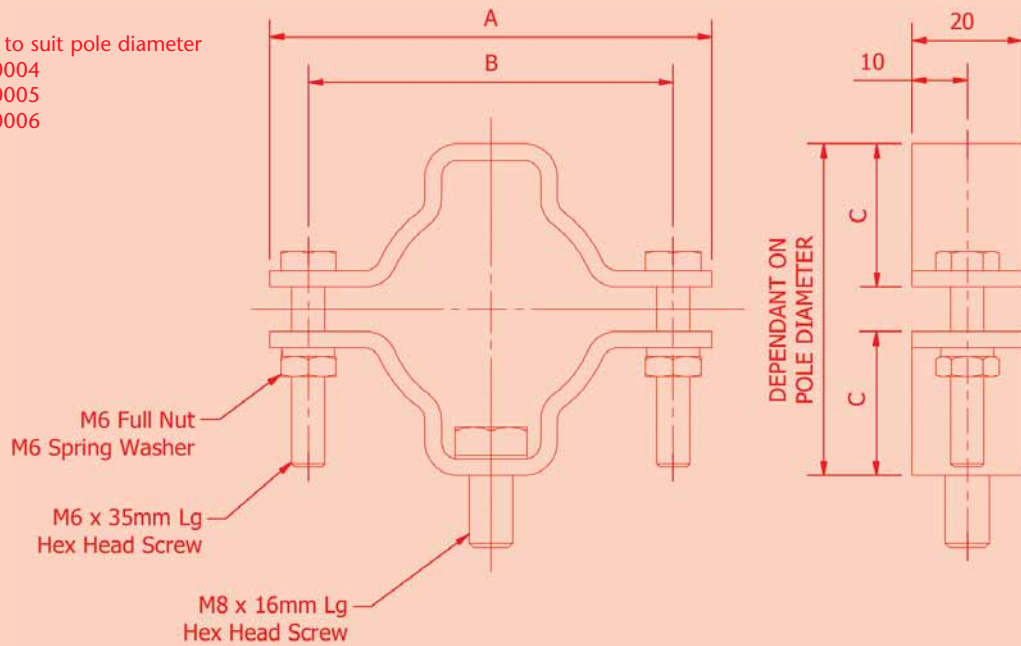
# MARQUIS II

3

## Pole Mount Bracket Assembly

Cat No. SPOL4-100004/100005/100006

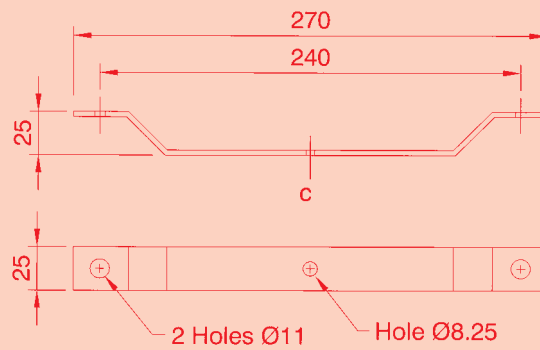
Pole mounting bracket to suit pole diameter  
 (38-42mm) SPOL4-100004  
 (48-52mm) SPOL4-100005  
 (58-62mm) SPOL4-100006



PART DETAILS				
Part Code	Part Description	A	B	C
SPOL4-100004	Marquis II 38-42 P/M ASSY	80mm	66mm	26mm
SPOL4-100005	Marquis II 48-52 P/M ASSY	90mm	76mm	32mm
SPOL4-100006	Marquis II 58-62 P/M ASSY	96mm	80mm	38mm

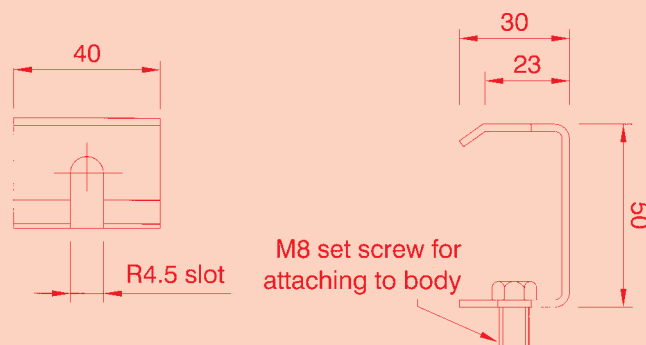
## Offset Ceiling Bracket Assembly

Cat No. S3004-100001



## C' Form Hook Type Ceiling Bracket Assembly

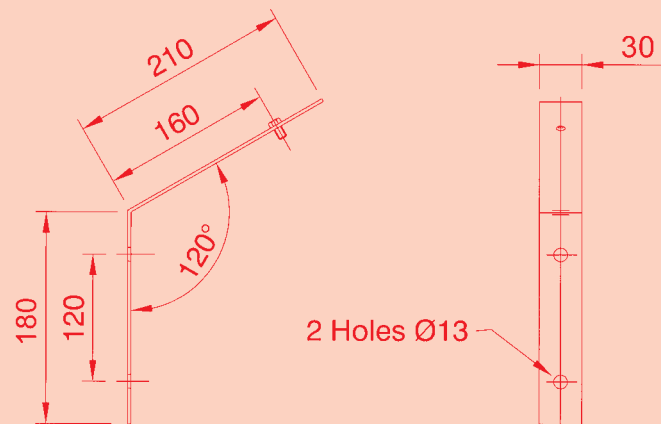
Cat No. SPRO4-0005



# MOUNTING OPTIONS

## Flush Mounted Wall Bracket Assembly

Cat No. S3004-100004

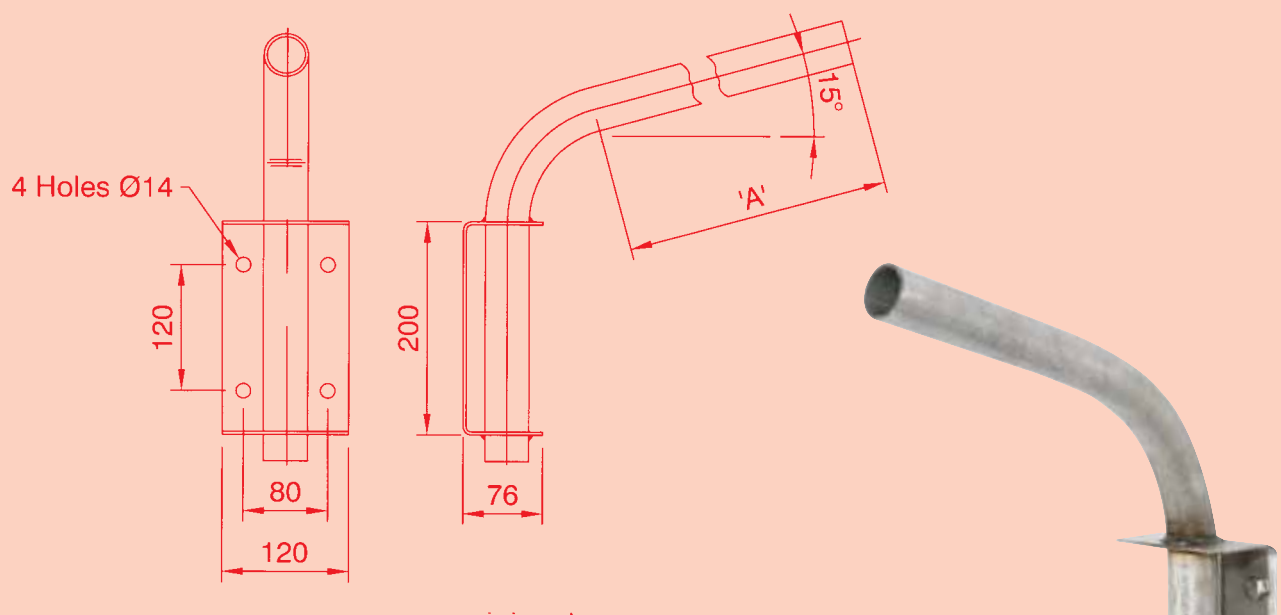


Flush mounting wall bracket  
Cat No. SPRO4-0006

Note: All brackets are made from 316 Stainless Steel

## Wall Mounting Outreach Bracket

Cat No. NPRO4-0008/0012/0022



Pole length 'A' for use with the following:

1. 18W body c/w pole clamps (SPOL4-100004), size 'A' = 650mm  
Cat No. NPRO4-0008
2. 36W body c/w pole clamps, (SPOL4-100004) size 'A' = 1100mm  
Cat No. NPRO4-0012
3. 58W body c/w pole clamps (SPOL4-100004) size 'A' = 1400mm  
Cat No. NPRO4-0022

Pole clamps for all items must be ordered separately, see SPOL4-100004