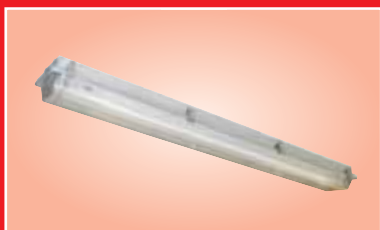


MARQUIS II VL53

End of Life
Protection



VL53 with stainless steel body

FEATURES AND BENEFITS

Lightweight and slimline construction • Simple to install and maintain • High frequency control gear • Single and twin lamp versions

CERTIFICATION & APPROVALS

IECEX Certificate IECEX SIR 06.0055X
ATEX Certificate SIRA06ATEX4191X

Ex II 3 GD Ex nA II T4

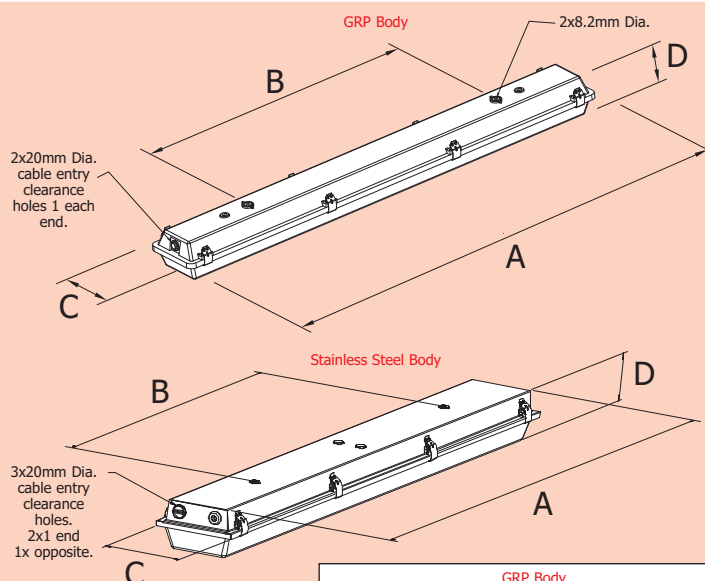
Ambient temperature range:
-20°C to +45°C*

Ingress protection to IP65

TIS Approved

*Dependant on lamp type & voltage

DIMENSIONS



	GRP Body		
	2x18W	1x36W / 2x36W	1x58W / 2x58W
A	702	1312	1612
B	500	800	1100
C	172	102 / 172	102 / 172
D	106	106	106
	Stainless Steel Body		
	2x18W	1x36W / 2x36W	1x58W / 2x58W
A	700	1312	1612
B	500	800	1100
C	172	172	172
D	106	106	106

Dimensions in millimetres

TECHNICAL SPECIFICATION

LAMP TYPES

T8, Ø26mm, G13 cap bi-pin fluorescent.
Available in the following configurations: 2 x 18W,
2 x 36W, 2 x 58W.

POWER SUPPLY

220V-254V, 50/ 60Hz AC/DC
120V, 50/60Hz AC only (option)

POWER FACTOR

Greater than 0.95

TERMINALS

4 core up to 4 mm² conductors. Through wiring facility as standard. Terminals for live constant, live switched, neutral & earth are provided. Internal earth.

CABLE ENTRIES

Pre-drilled Ø20mm.

Supplied with 1 x transit plug and the required number of Ex blanking plugs.

Cable entry devices (ie. glands) must maintain the IP rating for the luminaire.

TEMPERATURE CLASSIFICATION

Gas environments: T4.
Dust environments: T85°C.

AMBIENT TEMPERATURE RANGE

220V-240V: -20°C to +45°C.
254V: -20°C to +35°C
110V-130V: -20°C to +30°C

MATERIALS

Body Corrosion resistant glass reinforced polyester (GRP) or stainless steel.
Diffusers Polycarbonate.
Clips Stainless Steel (18Wx6, 36Wx8 & 58Wx10).
Gear Tray Painted mild steel.

WEIGHT

GRP Body	Stainless Body
1 x 36W Lamp - 3.3Kg	1 x 36W Lamp - 6.6Kg
1 x 58W Lamp - 3.7Kg	1 x 58W Lamp - 7.2Kg
2 x 18W Lamps - 2.6Kg	2 x 18W Lamps - 5.6Kg
2 x 36W Lamps - 3.6Kg	2 x 36W Lamps - 8.2Kg
2 x 58W Lamps - 4.1Kg	2 x 58W Lamps - 9.1Kg

SUSPENSION

8mm clearance holes. Sealing washers are provided.
A range of mounting accessories are available, see below.

ORDERING REFERENCE

Std. Cat Ref.	Wattage	Lamp Type
MA2N/218/BI	2x18W	Bi-Pin
MA2N/136/BI	1x36W	Bi-Pin
MA2N/236/BI	2x36W	Bi-Pin
MA2N/158/BI	1x58W	Bi-Pin
MA2N/258/BI	2x58W	Bi-Pin

A stainless steel body version is also available.
To order substitute MA2N with MS2N.

OPTIONS - SUFFIX TO CATALOGUE REF.

/120	120V - 36W & 58W only
/MF	Mains fuse
/EA	External earth (earth tag - GRP body only) (earth stud - stainless body only)
/CM	Fixed ceiling mount bracket (stainless body only)

ACCESSORIES

Pole mount bracket (38-42mm)
SPOL4-100004

Pole mount bracket (48-52mm)
SPOL4-100005

Pole mount bracket (58-62mm)
SPOL4-100006

Offset ceiling bracket assembly
S3004-100001

**C' form hook type ceiling
bracket assembly**
S3004-100003

Flush mounted wall bracket assembly
S3004-100004

**18W wall mounting outreach bracket
(use with SPOL4-100004)**
NPRO4-0008

**36W wall mounting outreach bracket
(use with SPOL4-100004)**
NPRO4-0012

**58W wall mounting outreach bracket
(use with SPOL4-100004)**
NPRO4-0022

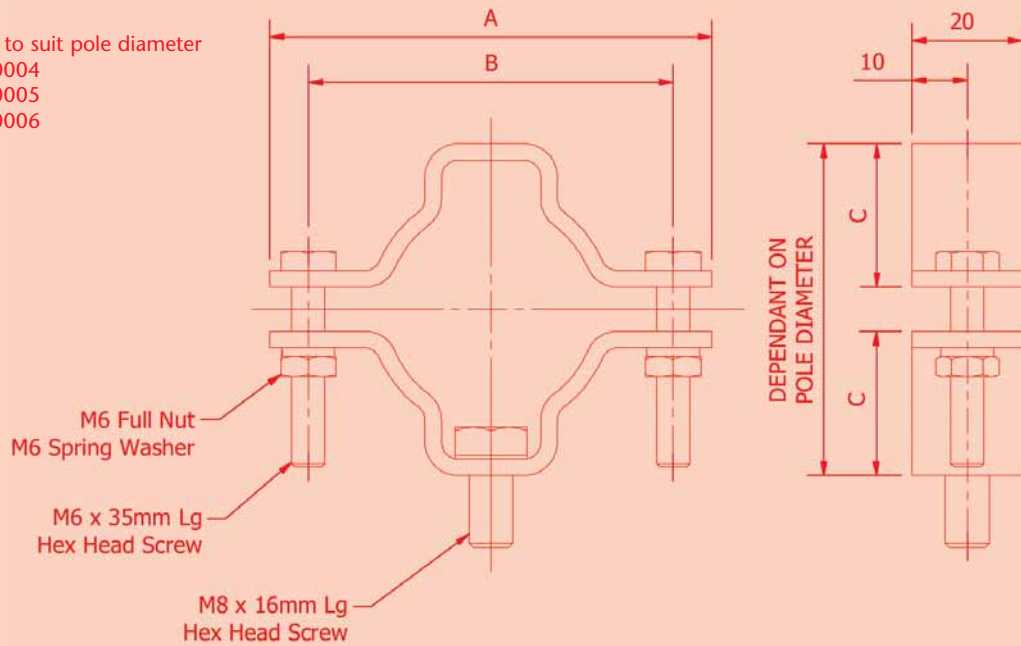
MARQUIS II

3

Pole Mount Bracket Assembly

Cat No. SPOL4-100004/100005/100006

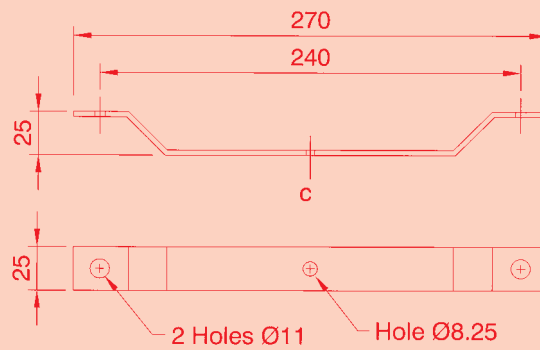
Pole mounting bracket to suit pole diameter
 (38-42mm) SPOL4-100004
 (48-52mm) SPOL4-100005
 (58-62mm) SPOL4-100006



PART DETAILS				
Part Code	Part Description	A	B	C
SPOL4-100004	Marquis II 38-42 P/M ASSY	80mm	66mm	26mm
SPOL4-100005	Marquis II 48-52 P/M ASSY	90mm	76mm	32mm
SPOL4-100006	Marquis II 58-62 P/M ASSY	96mm	80mm	38mm

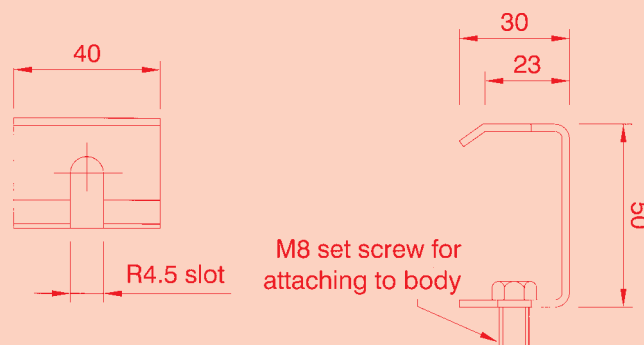
Offset Ceiling Bracket Assembly

Cat No. S3004-100001



C' Form Hook Type Ceiling Bracket Assembly

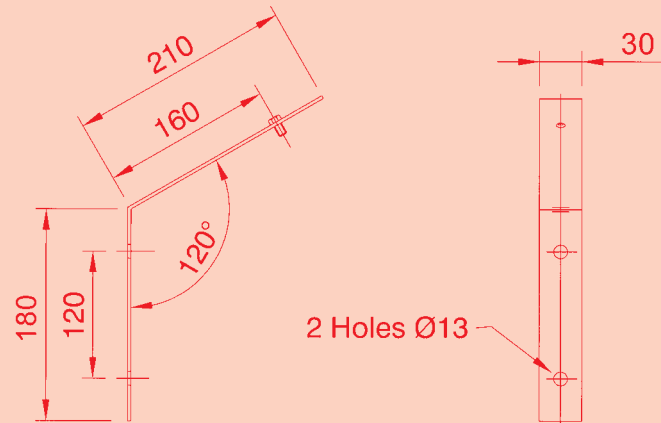
Cat No. SPRO4-0005



MOUNTING OPTIONS

Flush Mounted Wall Bracket Assembly

Cat No. S3004-100004

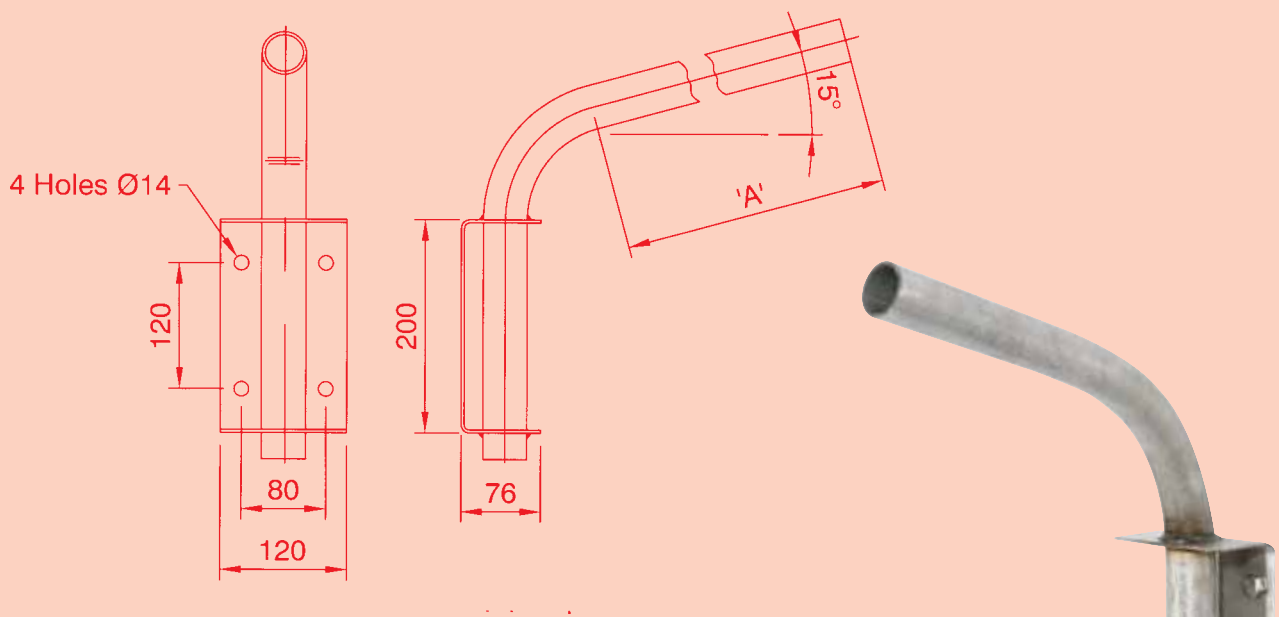


Flush mounting wall bracket
Cat No. SPRO4-0006

Note: All brackets are made from 316 Stainless Steel

Wall Mounting Outreach Bracket

Cat No. NPRO4-0008/0012/0022



Pole length 'A' for use with the following:

1. 18W body c/w pole clamps (SPOL4-100004), size 'A' = 650mm
Cat No. NPRO4-0008
2. 36W body c/w pole clamps, (SPOL4-100004) size 'A' = 1100mm
Cat No. NPRO4-0012
3. 58W body c/w pole clamps (SPOL4-100004) size 'A' = 1400mm
Cat No. NPRO4-0022

Pole clamps for all items must be ordered separately, see SPOL4-100004